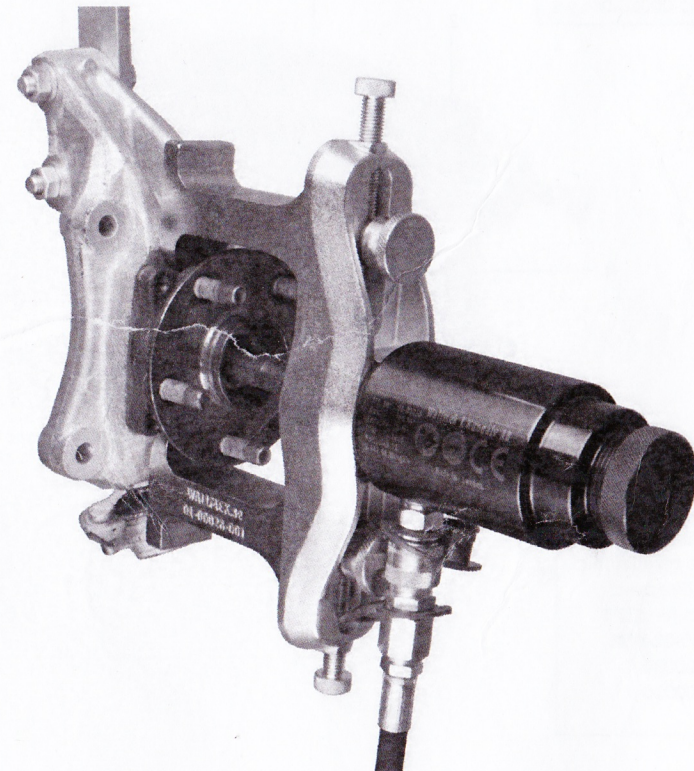


# **WALLMEK i Kungälv AB – Special tools for auto repairs**

www.wallmek.se • info@wallmek.se • Tel. +46(0)303 58580 • Bultgatan 18, 442 40 Kungälv, Sweden

**Manual 01-00026**



**01-00041-002**

European Patent No. EP3323553

Protected design within EU – RCD No. 003477090-0001/0002

US patent 10.532.450

US Design patent US D850,2265

**01-00030**

European Patent No. EP3156179

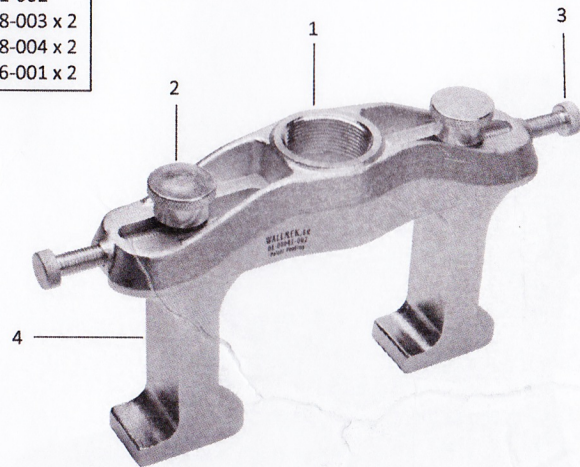
US Patent No. US 1004.7772

# WALLMEK i Kungälv AB – Special tools for auto repairs

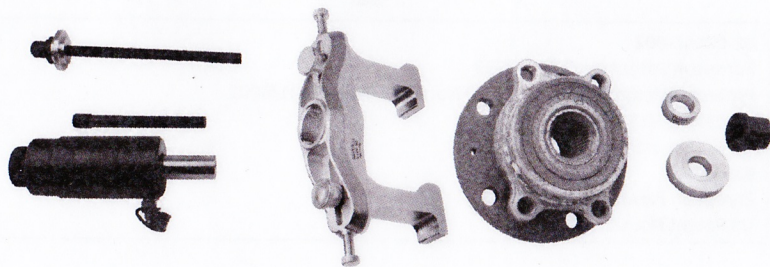
www.wallmek.se • info@wallmek.se • Tel. +46(0)303 58580 • Bultgatan 18, 442 40 Kungälv, Sweden

## 01-00026

- 1 – 01-00041-002
- 2 – 01-00018-003 x 2
- 3 – 01-00018-004 x 2
- 4 – 01-00026-001 x 2



Används med / to  
be used with /  
wird benutzt mit  
/ utilize avec:  
Cylinder ≤22 T  
1090-02-WAL  
01-00030  
01-00020



# WALLMEK i Kungälv AB – Special tools for auto repairs

www.wallmek.se • info@wallmek.se • Tel. +46(0)303 58580 • Bultgatan 18, 442 40 Kungälv, Sweden

